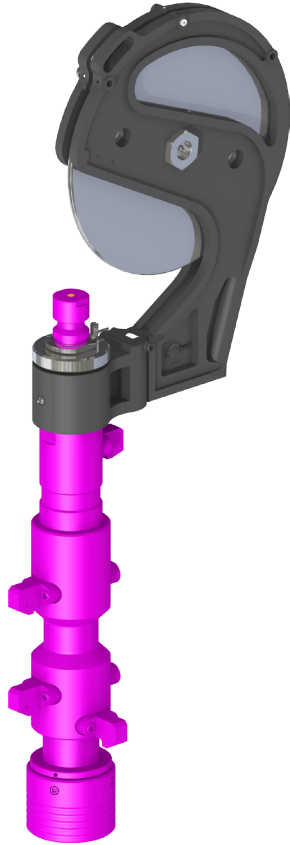




# Pressure Control Equipment

## Phuel Liquid Seal Stuffing Box



**The Phuel Liquid Seal Stuffing Box** provides a seal against well pressure barrier when operating slick line in HP/HT wells.

The concept is similar to Grease Head operations that utilise braided cables but the slick wire geometry allows the flow tube length to be significantly reduced.

Deployed on top of the HP/HT PCE stack, the Liquid Seal Stuffing Box is made up from a conventional Phuel S-Box, combining the functionality of the standard Phuel S-Box for sealing stationary wire with a compact Flow Tube Pressure Housing offering the grease seal for the moving wire.

The Phuel S-Box comes complete with all the Phuel standard features; Pump Out Packing, Lightweight (protected) Sheave & Saver Sub Ports (used throughout the tool). Our Pressure Housing also offers operational efficiency with designed-in Phuel features such as our internal hammer mechanism which greatly eases the assembly and separation of the tool.

The standard Phuel Check Valve and in-flow BOP provide a ‘belt and braces’ approach in case of line breakage and protect against large fluid loss. If and when this occurs, operational grease is injected into the flow tube section through a check valve and a return port allows the waste grease to be directed to a low pressure tank.

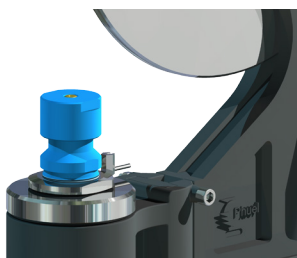
Gauge ports are also available if monitoring of the system is required, they can be left blank if not required. An additional chemical injection port with check valve is provided so that lubrication directly to the packing can be achieved in dry gas wells.

NOTE: Operational effectiveness of Liquid Seal Stuffing Boxes is dependent on: well pressure, Flow Tube clearance and the temperatures being experienced within the Stack. These features should determine the clearance of the Flow Tubes to be used.

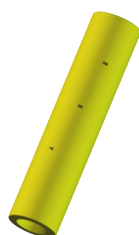


Slickline Stack

The most distinctive stuffing box on the market is also the **safest, quickest and easiest to use**, affording improved handling & minimising down time



Top Cap - Packing in place



Phuel Packing Stick

The Phuel packing stick can be simply pumped out with piston pressure once the packing nut has been removed.

Bleed off and the packing stick will automatically return.





# Pressure Control Equipment

## Phuel Liquid Seal Stuffing Box

### Three Piece Design

Replaceable brass wire guide centralises without damaging the wire

Innovative helicut packing stick replaces individual packing units, ensuring consistency by eliminating variation in set-up

Grease nipple allows for preventative maintenance of the tapered roller bearings

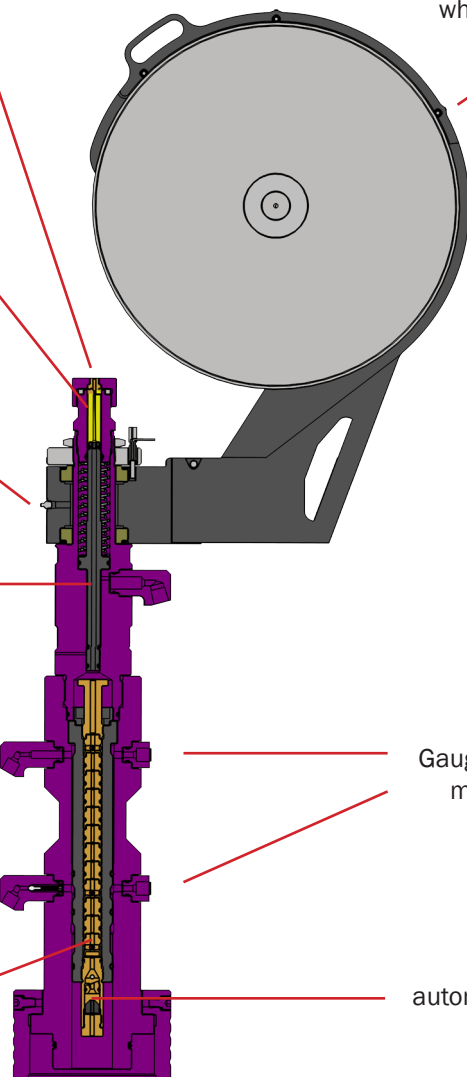
Hydraulic piston provides the force for the packing and is not disassembled during the packing redress, so allowing longer seal life and a faster change

Grease return

Grease injection

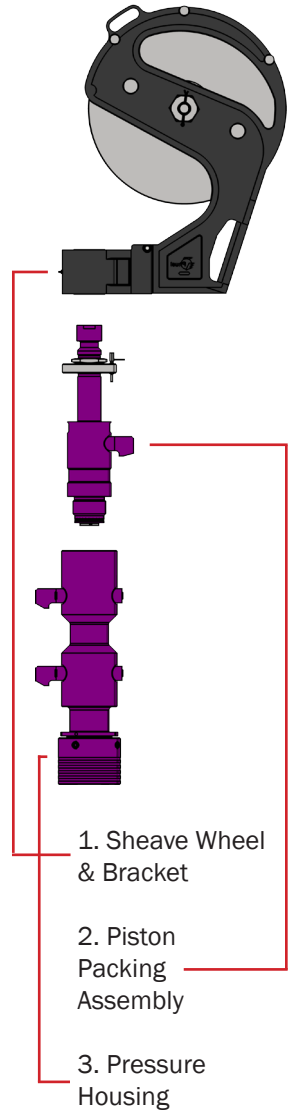
Flow tube sections to reduce well pressure

Phuel lightweight Sheave Bracket can be removed from the Bracket Hub for ease of handling and offers protection against Operators nipping fingers when loading the wire



Gauge Ports to allow monitoring of well pressure

Ball check valve automatically seals if the wire breaks



Product Options	Key Ordering Information
<ul style="list-style-type: none"> <li>Sheave wheel sizes 18" &amp; 20"</li> <li>Wire size</li> <li>Connections to suit client requirements</li> </ul>	<p>Things to consider when requesting a quotation:</p> <ul style="list-style-type: none"> <li>Sheave size &amp; wire size</li> <li>Connection type / size</li> <li>Maximum Working Pressure</li> <li>H2S or Standard Service</li> </ul>