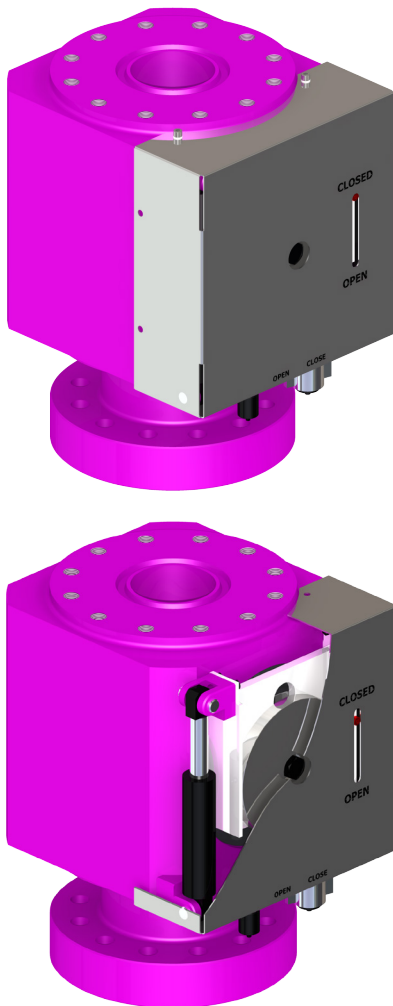




## Pressure Control Equipment

### Compact Safety Head



**The Phuel Compact Safety Head** is a large-bore, hydraulically-controlled wireline intervention valve intended for installation directly above the Xmas Tree during wireline intervention.

As with all Phuel Products the valve meets the highest certification levels, including NORSOK, and it's compact design allows for deployment through the intervention hatch cover therefore avoiding the expense of deferred production and heavy lifting operations.

Our unique cutting and movement mechanisms ensure that the wireline cables are cut cleanly without any risk of damage to the sealing function.

A floating valve provides a barrier to well pressure, which is initially energised by the mechanism and then further energised by differential pressure.

**Note: These mechanisms do not infringe on any previously published patents.**

A lower volume piston cycle also reduces the accumulator burden to comply with well safety regulations.

Existing PCE control panels can be used to operate the valve. An automatic mechanical back up is provided to ensure the valve cannot leak if the hydraulic pressure is lost and a clear position indicator tells the operator the status of the valve.

#### Features

- API flanged end connections allow connection directly to Xmas Tree
- Alternative end connections are available upon request
- Manufactured to API 6A
- Qualified in accordance with Norsok D-002 and API 16A
- Compact design allows installation through the intervention hatch
- Separate cutting and sealing face ensures that the cutting process does not damage the sealing area
- Available for applications up to 10,000 psi
- Floating valve which contains well pressure and can be easily replaced if needed
- Replaceable cutting blade for low cost replacement parts
- Ease of maintenance has been designed in, simple to strip down & rebuild
- Low operating pressure, small displacement volume open – close (2ltr) using any operating fluid

The Phuel Compact Safety Head provides a **safe and reliable** mechanism for cutting wire in an emergency.

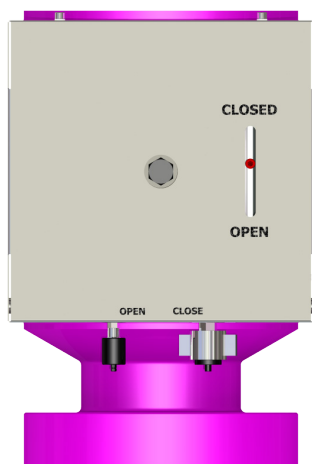
Available for applications up to 10,000 psi.



# Pressure Control Equipment

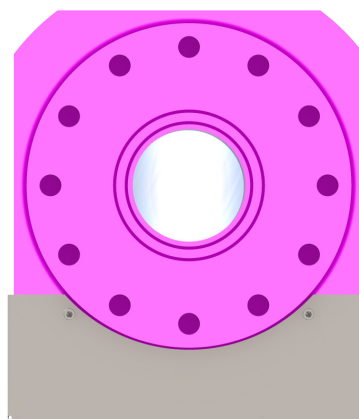
## Compact Safety Head

The Phuel Compact Safety Head can be operated by existing PCE control panels. The compact design negates removal of hatch covers and reduces the need for heavy lifts.



Clear indication of valve status

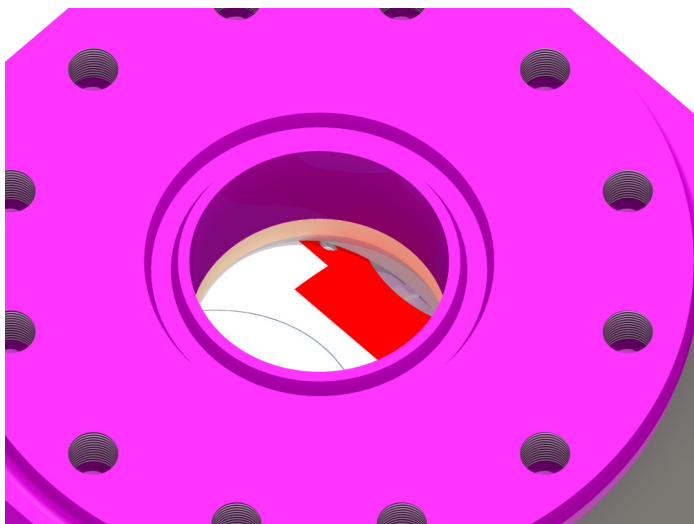
Easy access to connections



Mechanism protective cover

Clear indication of blade position

Critical dimensions to suit hatch



Replaceable Cutting Blade

- ### Cutting Capabilities
- All currently used Slickline and cables
  - 15mm Carbon Rod
  - 24mm Hydraulic Hose
  - Capillary tubing

- ### Key Ordering Information
- Things to consider when requesting a quotation:
- Inner Diameter (7-1/16" as standard)
  - Flange End Connections (7-1/16" 10M as standard)
  - Maximum working pressure (10,000 psi as standard)

### Product Specification

ID	OD	WP (ksi)	Connections
7-1/16"	24"W x 20.5"B x 36"H	10K	7 1/16" 10M flange

Alternative specifications are available on request.